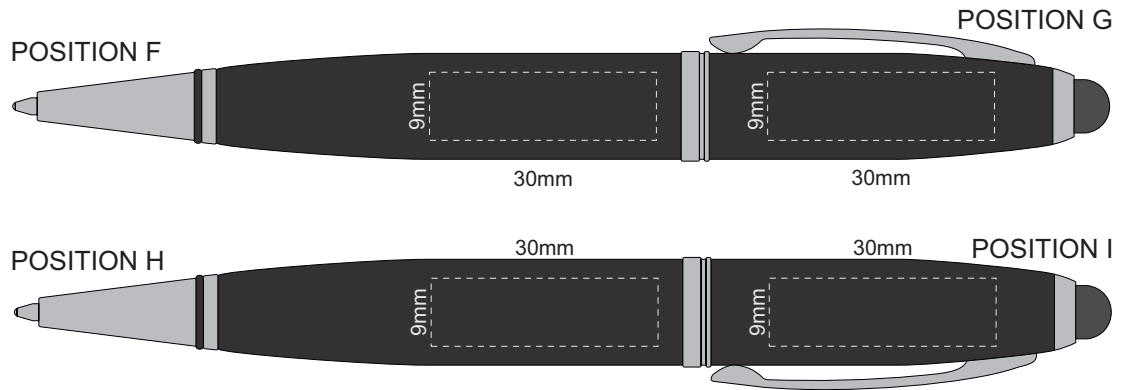
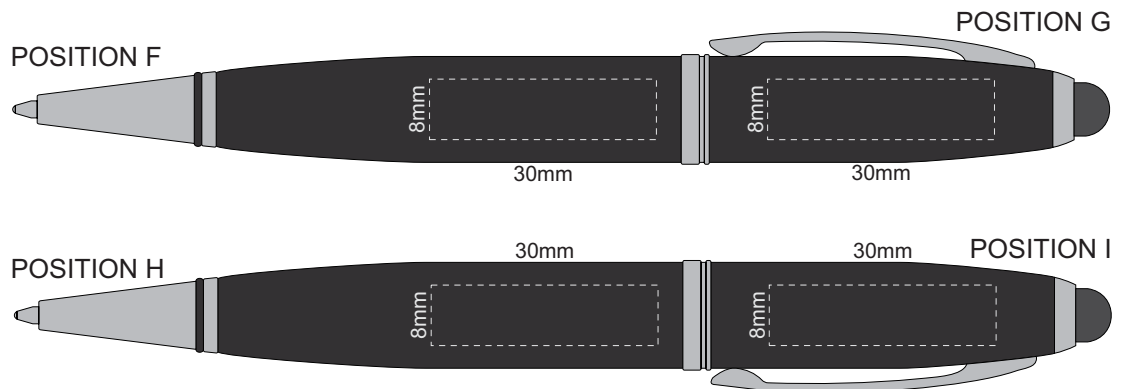




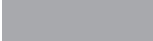
100% of Actual Size  
Pad Print



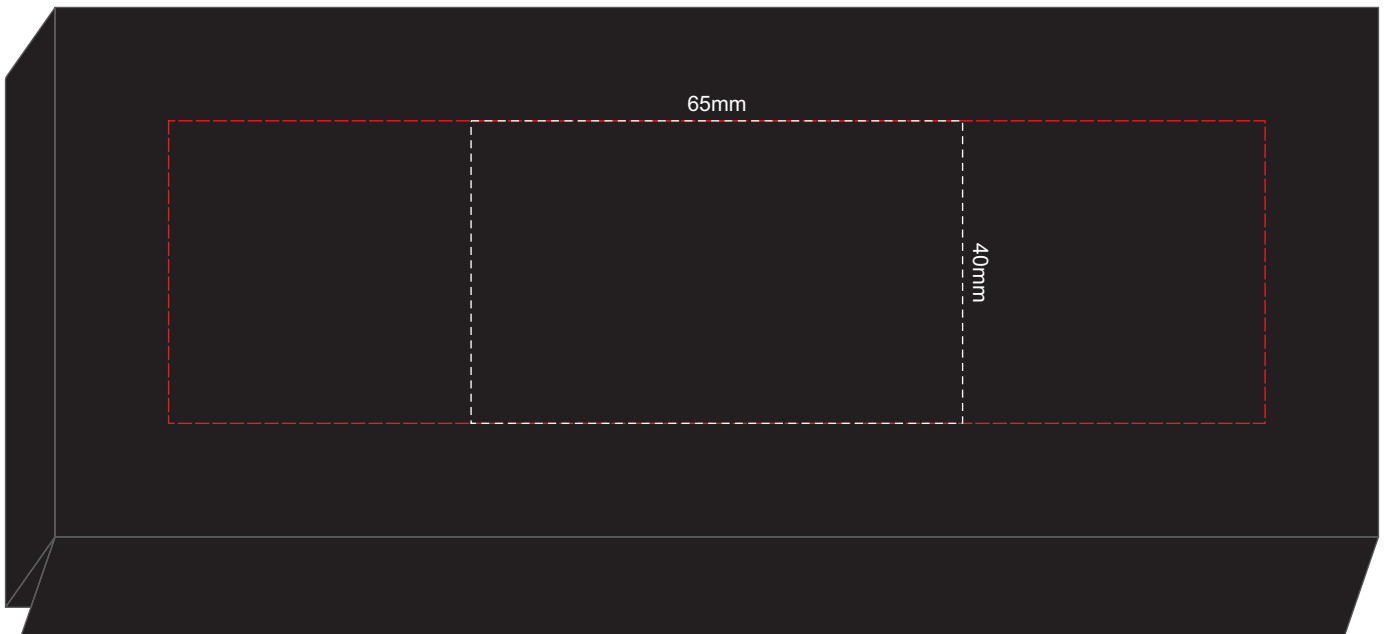
100% of Actual Size  
Laser Engraving



Position F & H  Engraves to Brass Finish

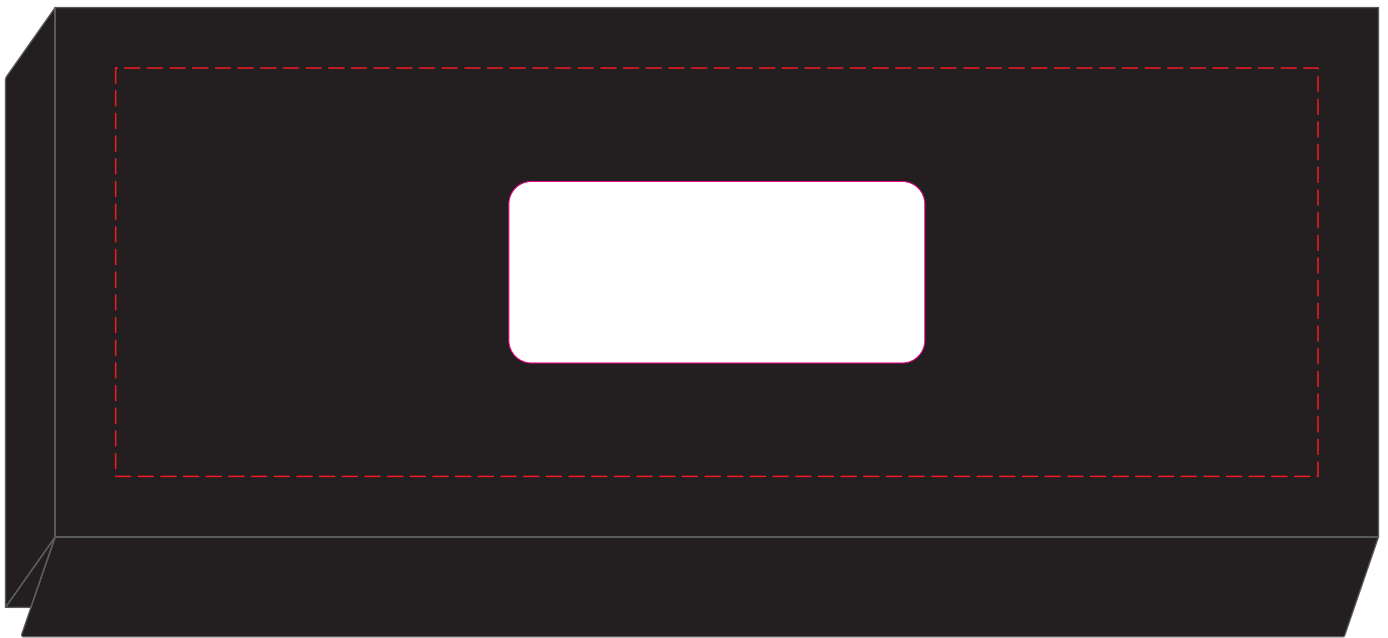
Position G & I  Engraves to Silver Mirror Finish

100% of Actual Size  
Pad Print (black box)

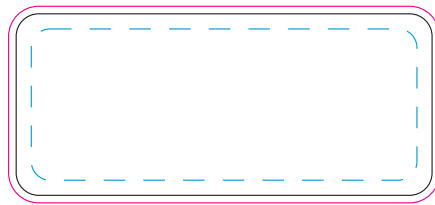


Branding area can be moved **anywhere within the red line.**

## Resin Dome - 55x24mm Oval or Rectangle



Branding area can be moved **anywhere within the red line.**

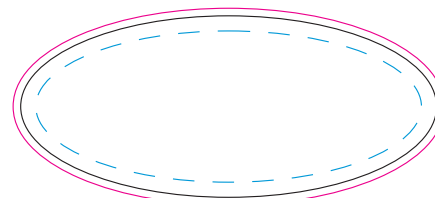


**Blue Line = The SIGNIFICANT PRINT AREA**  
(Keep all critical images & text within this box)  
**Black Line = Maximum print area**  
**Pink Line = Bleed off to here**

## Resin Dome - 55x24mm Oval or Rectangle



Branding area can be moved **anywhere within the red line.**



**Blue Line = The SIGNIFICANT PRINT AREA**  
(Keep all critical images & text within this box)  
**Black Line = Maximum print area**  
**Pink Line = Bleed off to here**