


50% of Actual Size
Pad Print
(White, PMS 476C or
Black print only)
Laser Engraving



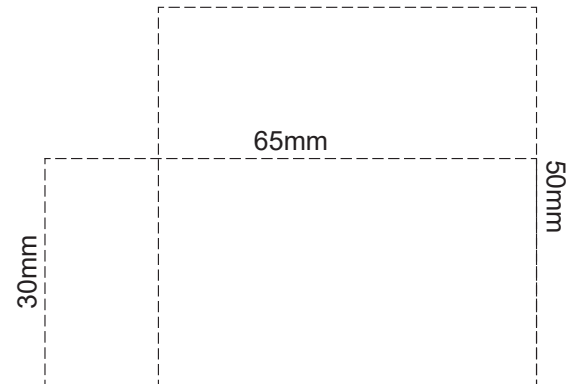
100% of Print size
50mm



This product is a natural material, please allow for variances in grain pattern, branding and engraving colours.

 Engraves to a Natural Etch

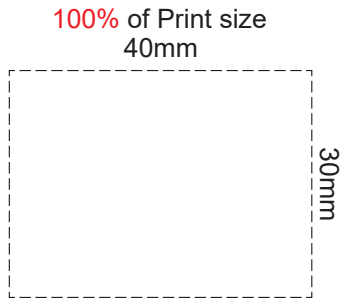
100% of Print size
50mm





50% of Actual Size
Laser Engraving

40mm
30mm



100% of Print size
40mm

30mm

This product is a natural material, please allow for variances in grain pattern and engraving colour.



Engraves to a Natural Etch



50% of Actual Size
Hot Stamping
(Template A)

50mm
20mm

100% of Print size
50mm

20mm

This product is a natural material, please allow for variances in grain pattern, branding and engraving colours.

 Hot Stamping Natural Finish



50% of Actual Size
Hot Stamping
(Template B)

65mm

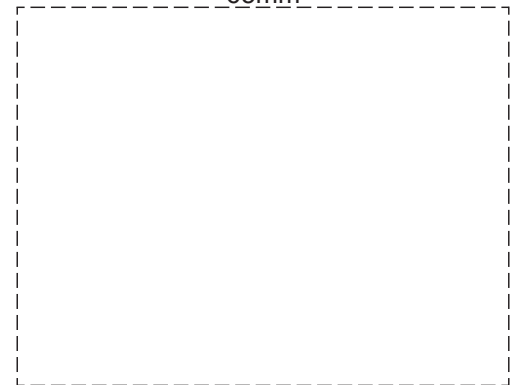
50mm

This product is a natural material, please allow for variances in grain pattern, branding and engraving colours.



Hot Stamping Natural Finish

100% of Print size
65mm



50mm